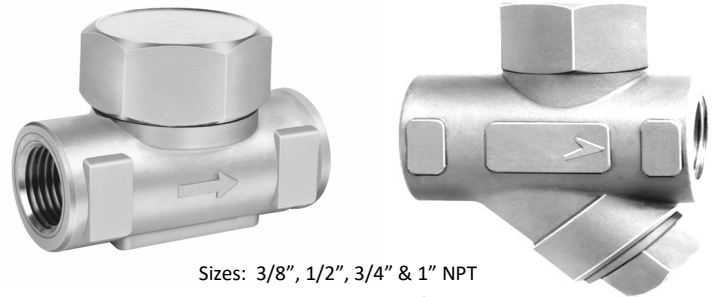


#### Product Features

- Stainless Steel Construction ASTM A743
- Stainless Steel Disc AISI 420
- Compact, Lightweight and resistant to water-hammer.
- Condensate discharge close to saturated steam temperature.
- Applications: Hi-Pressure Drip, Tracing, Press Machines, Steam Dryers.
- Available in 3/8", 1/2", 3/4" & 1" NPT



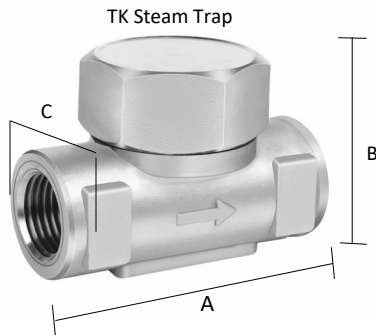
Sizes: 3/8", 1/2", 3/4" & 1" NPT  
PMO 600 PSIG @ 850° F

#### Product Description

TK Series Thermodynamic steam traps combine reliability, simplicity and efficiency of operation. Designed with just one moving part (stainless steel disc) TD traps discharge with a positive shut-off. Able to withstand superheat, water-hammer, corrosive condensate, freezing and vibration the TK series traps are the first choice for efficient and reliable removal of condensate.

CAPACITIES - Condensate (lbs./hr.)																					
Pressure (PSIG)																					
Model	Size	5	10	15	20	25	30	40	50	75	100	150	200	250	300	350	400	450	500	550	600
TK-11	3/8"	186	192	197	202	217	222	233	253	314	379	504	624	715	805	830	905	1075	1125	1190	1295
TK-22, TKS-22	1/2"	316	351	381	416	441	471	516	581	712	827	1022	1167	1302	1443	1568	1673	1778	1883	1964	2064
TK-33, TKS-33	3/4"	431	476	521	566	611	651	722	827	1022	1187	1482	1712	1952	2114	2269	2494	2629	2785	2990	3145
TK-44, TKS-44	1"	681	741	816	886	941	1002	1082	1227	1502	1802	2217	2628	2938	3303	3603	3873	4123	4354	4564	4844

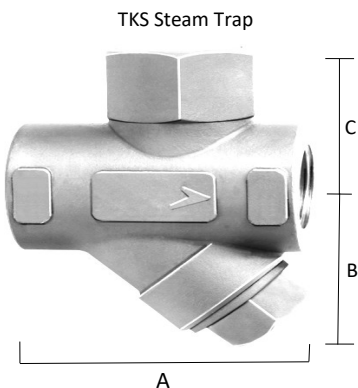
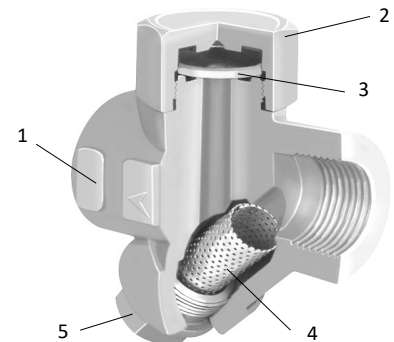
NOTE: Maximum back pressure not to exceed 80% of inlet pressure (measured in absolute pressure) or trap may not properly close.



TK Dimensions (in., lbs.)

SIZE (NPT)	A	B	C	WT.
3/8	2	1 3/8	1 3/4	0.9
1/2	2 11/16	1 1/2	2	1.3
3/4	2 13/16	1 3/4	2 3/8	2.2
1	3 5/16	2 1/8	2 3/8	3.3

TK / TKS Materials



TKS Dimensions (in., lbs.)

SIZE (NPT)	A	B	C	WT.
1/2	3 1/16	2 3/8	1 7/8	2.2
3/4	3 1/16	2 3/8	1 7/8	2.2
1	3 1/4	2 1/2	2 3/16	3.3

No	Part	Materials
1	Body	ASTM A743 Gr. CA 40
2	Cap	ASTM A743 Gr. CA 40
3	Disc	SS AISI 420
4	Strainer	40 Mesh, SS 304, 0.8 mm
5	Strainer Cap	ASTM A743 Gr. CA 40