

### Features

- Heavy Duty construction
- Immediate condensate discharge
- Water Sealed Valve Mechanism
- Large Air Handling Capacity
- Continuous Discharge
- Unaffected by Sudden Pressure Changes
- Stainless Steel Valve Mechanism
- Energy Efficient
- Conforms to Federal Spec. WWT-696
- Operates Against Back Pressure

### Limiting Conditions

#### FT2020-8

Maximum Operating Pressure (PMO): 20PSI  
Maximum Operation Temperature (TMO): 259F

#### Shell Design Conditions

Maximum Allowable Pressure (PMA): 250PSI  
Maximum Allowable Temperature (TMA): 450F

#### FT2175-8 and -10

Maximum Operating Pressure (PMO): 175PSI  
Maximum Operation Temperature (TMO): 450F

#### Shell Design Conditions

Maximum Allowable Pressure (PMA): 200PSI  
Maximum Allowable Temperature (TMA): 470F

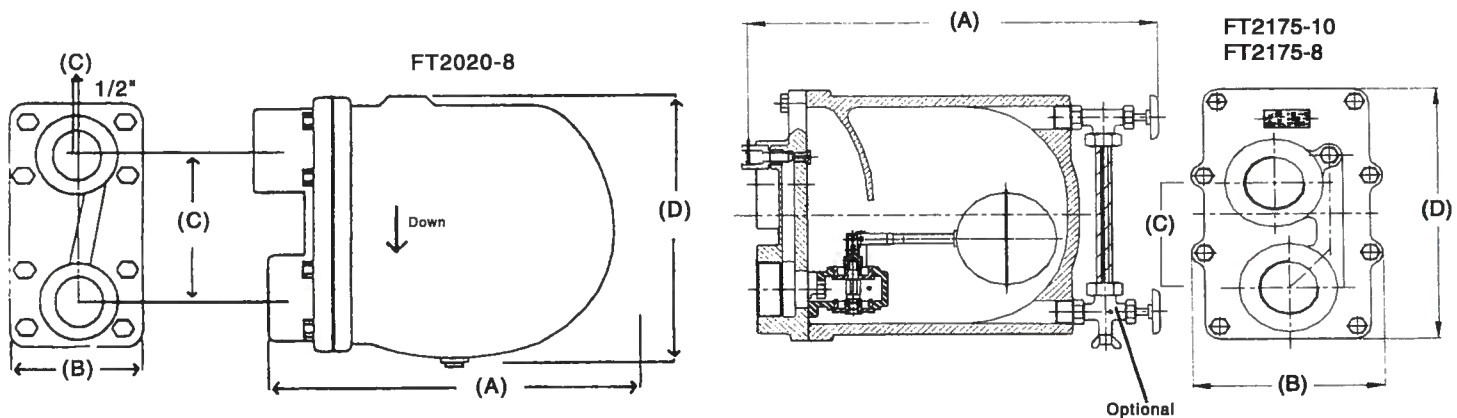
### MATERIALS

Part	Description
Head	Cast Iron, ASTM-A278 Class 30
Body	Cast Iron, ASTM-A278 Class 30
Bolting	Steel, Grade 5
Gaskets	Compressed Graphite
Float	Stainless Steel
Plug	Stainless Steel
Seat	Stainless Steel
Air Vent	Stainless Steel/Phos. Bronze

### DIMENSIONS

Model#	A	B	C	D	LBS.
FT2020-8	12.25"	6"	4.5"	10.75"	44
FT2175-8	16.5"	7.5"	4.5"	10.75"	62
FT2175-10	20.5"	8.7"	7.5"	12.8"	117

"A" Dim. w/o Petcock deduct 4". Offset for all 1/2"



Size (NPT)	Model No.	Pressure Differential (PSIG)															
		1/4	1/2	1	2	5	10	15	20	30	40	60	75	100	125	150	175
2"	FT2020-8	6000	7500	9000	11500	15500	19000	22000	25000	-	-	-	-	-	-	-	-
2"	FT2175-8	8827	13192	16710	20218	24771	28775	30902	33030	35675	38105	41938	44039	47044	49796	50987	52609
2 1/2"	FT2175-10	25000	31500	31500	38500	46000	55500	64000	68000	69500	79000	85000	92000	96500	103000	111000	113000