

Features

- Heavy Duty construction
- Immediate condensate discharge
- Water Sealed Valve Mechanism
- Large Air Handling Capacity
- Continuous Discharge
- Unaffected by Sudden Pressure Changes
- Stainless Steel Valve Mechanism
- Energy Efficient
- Conforms to Federal Spec. WWT-696
- Operates Against Back Pressure

Limiting Conditions

FT2020-8

Maximum Operating Pressure (PMO): 20PSI
Maximum Operation Temperature (TMO): 259F

Shell Design Conditions

Maximum Allowable Pressure (PMA): 250PSI
Maximum Allowable Temperature (TMA): 450F

FT2175-8 and -10

Maximum Operating Pressure (PMO): 175PSI
Maximum Operation Temperature (TMO): 450F

Shell Design Conditions

Maximum Allowable Pressure (PMA): 200PSI
Maximum Allowable Temperature (TMA): 470F

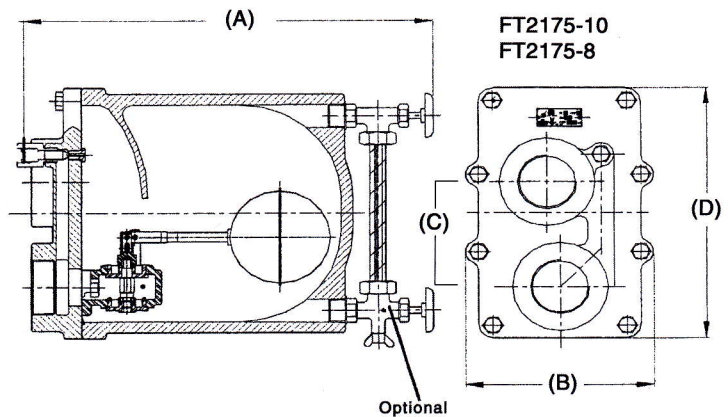
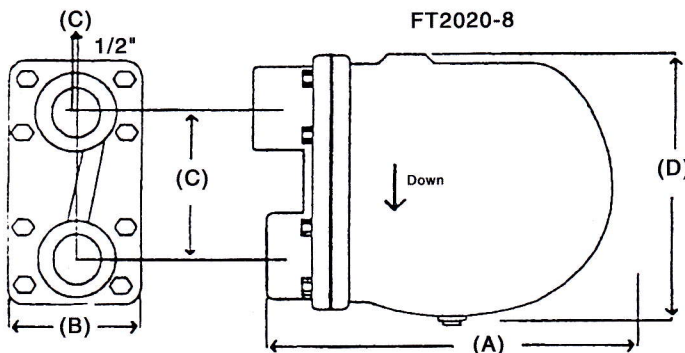
MATERIALS

| Part | Description |
|----------|-------------------------------|
| Head | Cast Iron, ASTM-A278 Class 30 |
| Body | Cast Iron, ASTM-A278 Class 30 |
| Bolting | Steel, Grade 5 |
| Gaskets | Compressed Graphite |
| Float | Stainless Steel |
| Plug | Stainless Steel |
| Seat | Stainless Steel |
| Air Vent | Stainless Steel/Phos. Bronze |

DIMENSIONS

| Model# | A | B | C | D | LBS. |
|-----------|--------|------|------|--------|------|
| FT2020-8 | 12.25" | 6" | 4.5" | 10.75" | 44 |
| FT2175-8 | 16.5" | 7.5" | 4.5" | 10.75" | 62 |
| FT2175-10 | 20.5" | 8.7" | 7.5" | 12.8" | 117 |

"A" Dim. w/o Petcock deduct 4". Offset for all 1/2"



| Size (NPT) | Model No. | Pressure Differential (PSIG) | | | | | | | | | | | | | | | |
|------------|-----------|------------------------------|-------|-------|-------|-------|-------|-------|-------|-------|-------|-------|-------|-------|--------|--------|--------|
| | | 1/4 | 1/2 | 1 | 2 | 5 | 10 | 15 | 20 | 30 | 40 | 60 | 75 | 100 | 125 | 150 | 175 |
| 2" | FT2020-8 | 6000 | 7500 | 9000 | 11500 | 15500 | 19000 | 22000 | 25000 | - | - | - | - | - | - | - | - |
| 2" | FT2175-8 | 8827 | 13192 | 16710 | 20218 | 24771 | 28775 | 30902 | 33030 | 35675 | 38105 | 41938 | 44039 | 47044 | 49796 | 50987 | 52609 |
| 2 1/2" | FT2175-10 | 25000 | 31500 | 31500 | 38500 | 46000 | 55500 | 64000 | 68000 | 69500 | 79000 | 85000 | 92000 | 96500 | 103000 | 111000 | 113000 |